



SEAWARD

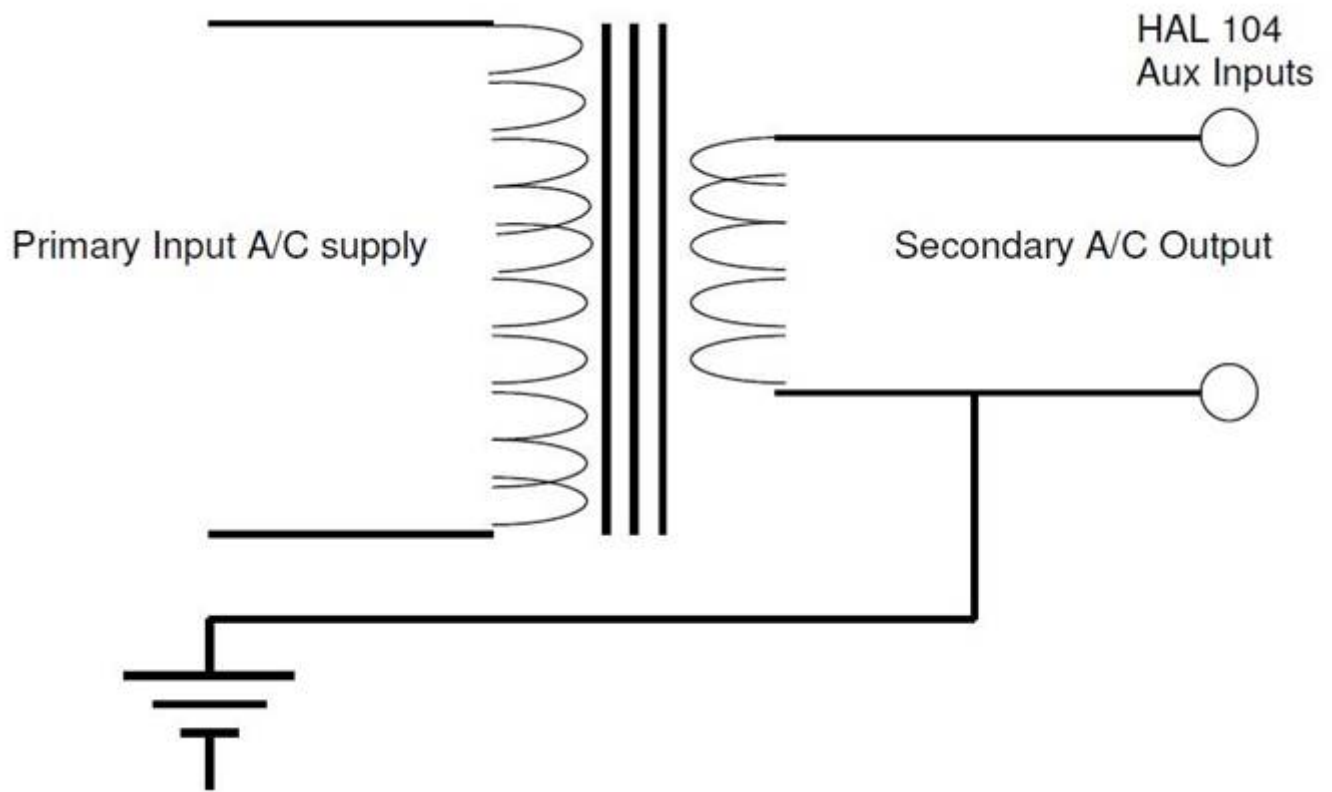
GMC-INSTRUMENTS GROUP

How do I use an isolation transformer with a HAL 104?

If the connection of an A/C supply to the HAL 104 is required using an isolation transformer, the following rules should be applied.

- One side of the secondary winding of the A/C supply should be connected to the protective Earth from the incoming supply.
- This provides a simulated TN system.
- The A/C secondary supply should then be connected to the 4mm aux supply inputs on the rear panel of the ClareHAL 104.

Fig 1 below shows the type of connection used.



If you require more help, please contact us at <https://www.seaward.com/us/enquire/>.